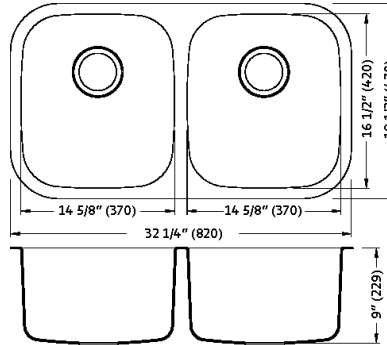


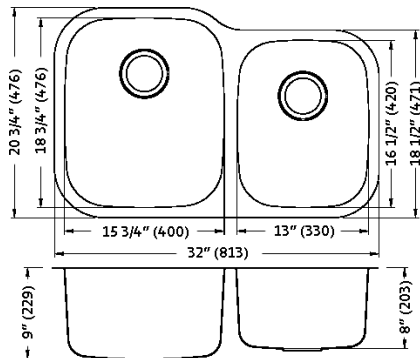


18 Gauge Stainless Steel Undermount Kitchen Sinks

5050SS18
*50/50 Bowl Kitchen Sink***

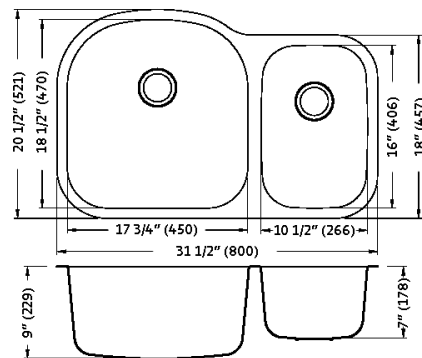


6040SS18
*60/40 Bowl Kitchen Sink***



4060SS18
*Reverse Bowl Configuration of 60/40SS18N***

7030SS18
*70/30 Bowl Kitchen Sink***



3070SS18
*Reverse Bowl Configuration of 70/30SS18N***

**** Stainless Steel Kitchen Sinks Also Available in 16 Gauge
.dxf Files Available For Standard Sinks**